

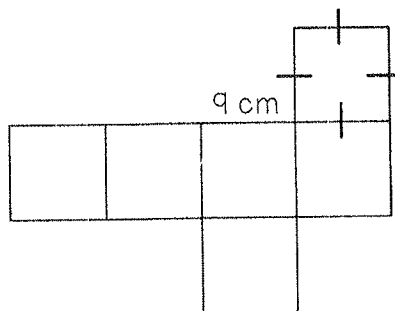
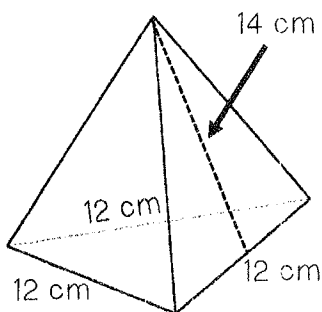
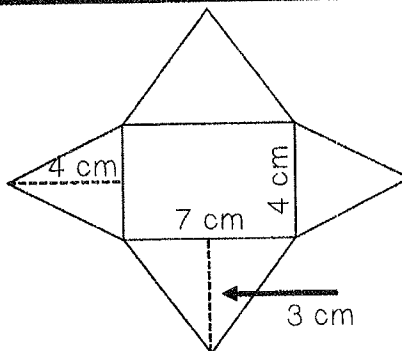
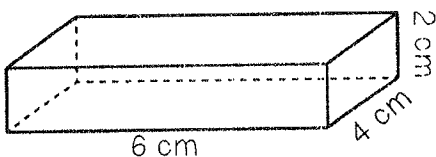
SURFACE AREA CUT & PASTE

Cut the cards apart. Then match each 3D figure with its net and total surface area. Glue the cards to the appropriate spot, but be careful because not all cards will be used. Images are not drawn to scale.

3D FIGURE

NET

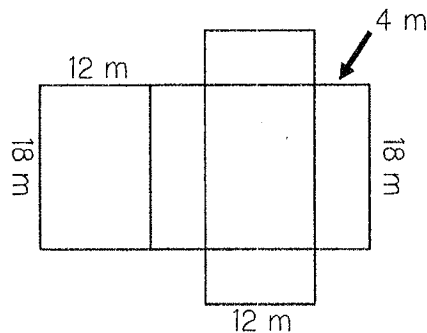
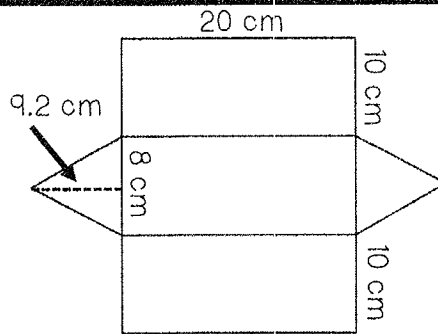
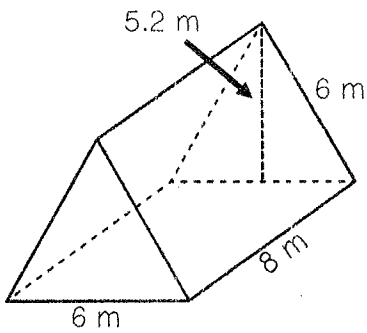
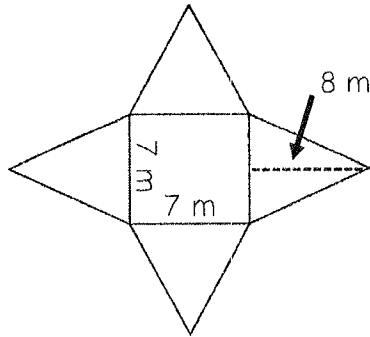
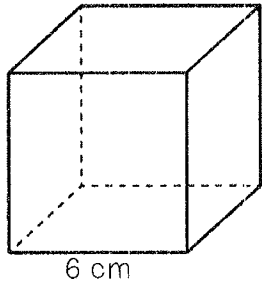
SURFACE AREA

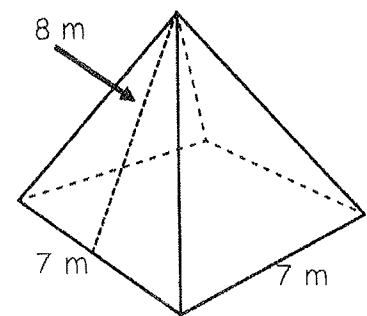
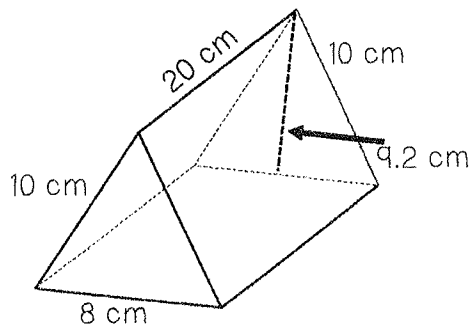
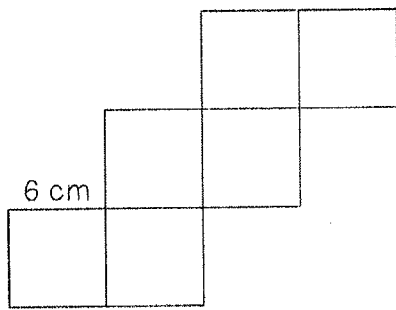
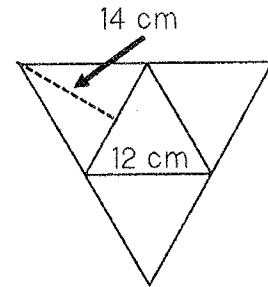
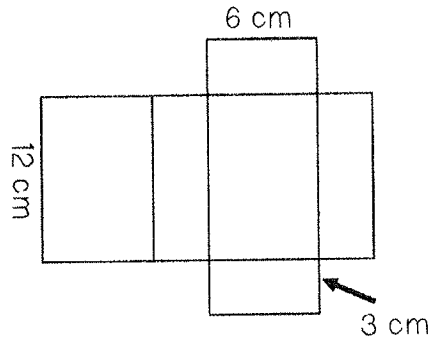
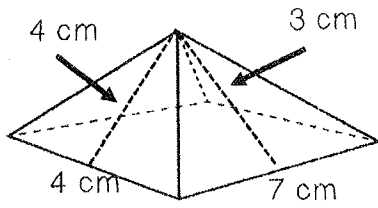
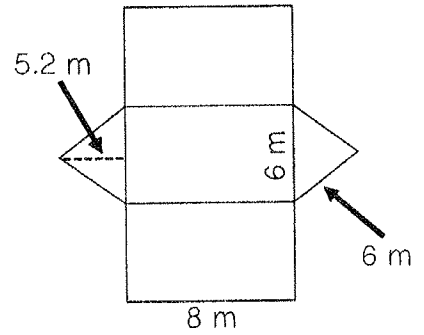
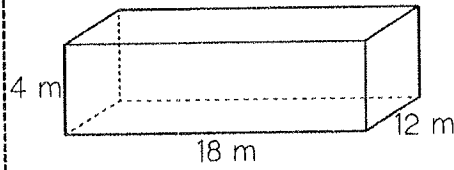
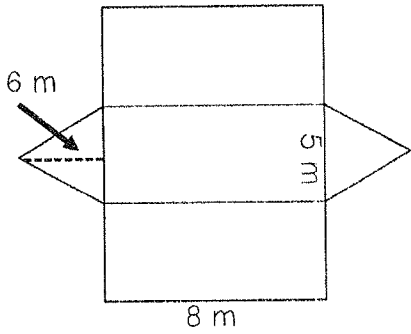
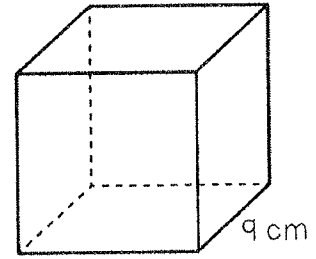
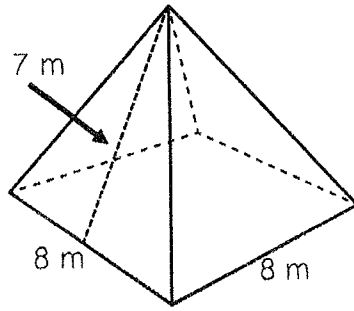
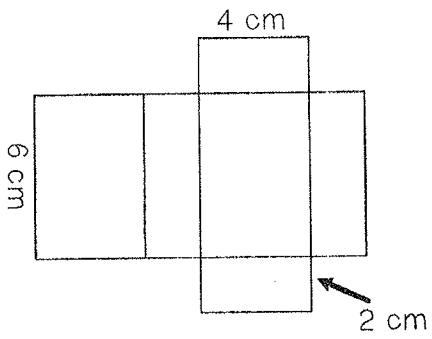


3D FIGURE

NET

SURFACE AREA





88 cm²

161 m²

672 m²

336 cm²

176 m²

216 cm²

65 cm²

175.2 m²

633.6 cm²

486 cm²

